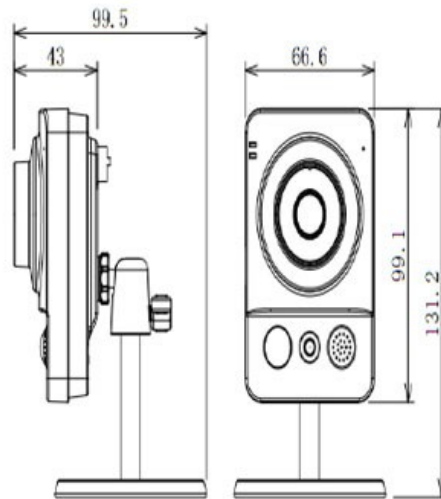


# CP- UNC-CB20L1

2 MP HD IR IP Cube Camera - 10 Mtr.



## Main Features

- 1/3" 2 Megapixel CMOS Image Sensor
- H.264 & MJPEG dual-stream encoding
- Max 25/30fps@1080P(1920×1080)
- DWDR, Day/Night, 3DNR, Auto iris, AWB, AGC, BLC
- 3.6mm fixed lens
- PIR Sensor Range upto 6Mtr., Micro SD
- IR Range of 10 Mtr.
- Mobile Software: iCMOB, gCMOB, wCMOB
- CMS Software:KVMS Pro, vOptimus Pro



# CP- UNC-CB20L1

## 2 MP HD IR IP Cube Camera - 10 Mtr.

### Feature

Image Sensor  
 Minimum Illumination  
 Shutter Speed  
 White Balance  
 Lens  
 Gain Control(AGC)  
 S/N Ratio  
 Back Light Compensation  
 Video Compression  
 Video Streaming  
 Resolution  
 Privacy Mask  
 ICR  
 Audio Input  
 Audio Compression  
 Audio Output  
 Alarm IN  
 PIR Sensor  
 Alarm Out  
 Protocol  
 Ethernet  
 User Account  
 IR  
 Smart Phone  
 Micro SD  
 Operating Temperature  
 Power Source  
 Power Consumption  
 Regulatory  
 Dimension  
 Weight

### Specification

1/3" 2 Megapixel CMOS  
 0.05 lux/F1.8  
 Auto/Manual 1/3(4)~1/10000  
 BLC / HLC / DWDR  
 3.6mm  
 Auto/Manual  
 more than 50dB  
 BLC / HLC / DWDR  
 H.264/MJPEG  
 Main Stream: 1080P/720P(1~25/30fps), Extra Stream: D1/CIF(1 ~ 25/30fps)  
 1080P(1920x1080)/720P(1280x720)/D1/CIF  
 Up to 4 areas  
 Auto(ICR) / Color / B/W  
 Built-in Mic  
 G.711a / G.711u / PCM  
 Built-in speaker  
 1 Ch.  
 Up to 6m  
 1 Ch.  
 IPv4/IPv6, HTTP, SSL, TCP/IP, UDP, UPnP, ICMP, IGMP, SNMP, RTSP, RTP, SMTP, NTP, DHCP, DNS, PPPOE, DDNS, FTP, IP Filter, QoS, Bonjour, ONVIF Ver. 2.0  
 RJ-45(10/100Base-T)  
 10 users  
 IR Range of 10Mtr.  
 iPhone, iPad, Android, Windows Phone  
 Max 64GB  
 -20°C~+60°C, Less than 95%RH  
 DC12V,PoE(802.3af)  
 <4.5W  
 CE, FCC, RoHS  
 66.6mm × 99.5mm × 131.2mm  
 0.35kg (0.4kg with bracket)